

## DVA252.XXX vibration acceleration sensors with voltage output



**DVA252.164**  
version with **TIK-KXX** connector on the cable

**DVA252.104**  
version with **fixed** cable connection

**DVA252.214**  
version with **TIK-KXX** connector on the housing

*Product appearance may vary slightly from that shown in the brochure*

### Features

Designed to measure the instantaneous value of vibration acceleration in diagnostic systems.

Depending on the version, the sensor is installed on the unit using the standard threaded stud M8 or with 3 screws. A threaded stud with a different thread, including inch thread, can be supplied on special order.

For the .214 version, it is possible to use cable assemblies with the MIL connector of imported transducers.

### Metrological parameters

Conversion coefficient, mV*s <sup>2</sup> /m							
80	50	20	12.5	10	6.67	4	2
Measurement ranges for vibration acceleration, m/s <sup>2</sup> :							
0-62.5	0-100	0-250	0-400	0-500	0-750	0-1250	0-2500

Operating frequency range, Hz . . . . . 2-3000;  
 10-3000;  
 2-5000;  
 2-10 000;  
 3-10 000;  
 5-10 000;  
 10-10 000

### Climatic version

- Operating temperature range, °C
- H climatic version . . . . . -40...+80
  - X climatic version . . . . . -60...+80
  - K climatic version . . . . . -196...+80

### Interface

Output signal type . . . . . voltage (two-wire)  
 Sensor supply voltage, V . . . . . 17-25  
 Connection via the TIK-PLC controller\* or the TIK-BIS safety barrier  
 \* The controller operates as EPS, sensor power source, and a safety barrier

### Protection parameters

- Explosion protection
- PO Ex ia I Ma X  
 0Ex ia IIC T6...T2 Ga X  
 Ex ia IIIC T<sub>200</sub> 100°C ... T<sub>200</sub> 280°C Da X  
 Ex ib IIIC T95°C ... T275°C Db X
  - 2Ex nA IIC T6...T2 Gc X
  - PO Ex ia I Ma X
  - 0Ex ia IIC T6...T2 Ga X
  - Ex ia IIIC T<sub>200</sub> 100°C ... T<sub>200</sub> 280°C Da X
  - Ex ib IIIC T95°C ... T275°C Db X
- Protection class
- IP65/68

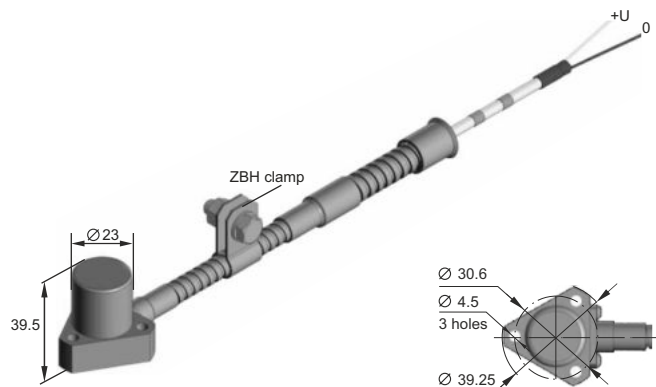
### Reliability parameters

MTBF, hours, not less than . . . . . 100 000  
 Warranty service life, months . . . . . 24  
 Service life, years . . . . . 20  
 Verification interval, years . . . . . 2

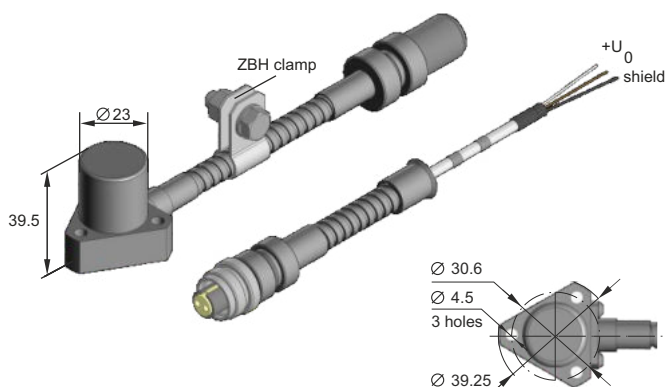


## Constructive versions

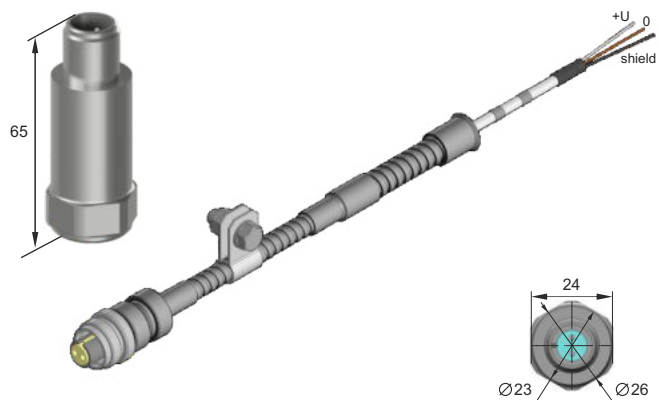
### DVA252.104



### DVA252.164



### DVA252.214



## Wiring diagrams

