

## DVA252.XXX vibration acceleration sensors with voltage output



\* Only for SPTA

The appearance of the products may differ a little from those presented in the brochure

### Features

Designed to measure the instantaneous value of vibration acceleration in diagnostic systems.

Depending on the version, the sensor is installed on the unit using the standard threaded stud M8 / M10 / M12 or with 3 screws.

A threaded stud with a different thread, including inch thread, can be supplied on special order.

For the .214 version, it is possible to use cable assemblies with the MIL connector of imported transducers.

### Metrological parameters

Conversion coefficient, mV*s <sup>2</sup> /m							
80	50	20	12.5	10	6.67	4	2
Measurement ranges for vibration acceleration, m/s <sup>2</sup> :							
0-62.5	0-100	0-250	0-400	0-500	0-750	0-1250	0-2500
Operating frequency range, Hz							
2-3000;							
10-3000;							
2-5000;							
2-10 000;							
3-10 000;							
5-10 000;							
10-10 000							

### Interface

Type of output signal ..... by voltage (two-wire),  
IEPE (ICP compatible)

Supply voltage of the sensor, V ..... 10-12

Power current, mA ..... 4-10

The maximum amplitude value of alternating voltage measured by the channel, V ..... ≈ 5.0

Connection via the TIK-PLC controller\*\* or the TIK-BIS safety barrier

\*\* The controller operates as ESD, sensor power source, and a safety barrier

### Explosion protection

Marking. .... 0Ex ia IIC T6...T2 Ga X / PO Ex ia I Ma X  
2Ex nA IIC T6...T2 Gc X

### Climatic version

Operating temperature range, °C

- H climatic version ..... -40...+80
- X climatic version ..... -60...+80
- K climatic version ..... -196...+80

### Reliability parameters

MTBF, hours, not less than ..... 40 000

Design service life, hours, not less than ..... 80 000

Warranty service life, months ..... 24

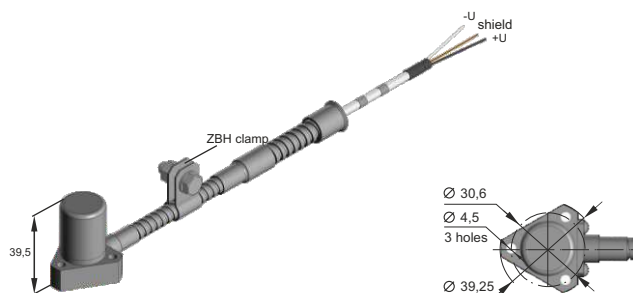
Service life, years ..... 10

Verification interval, years ..... 2



## Constructive versions

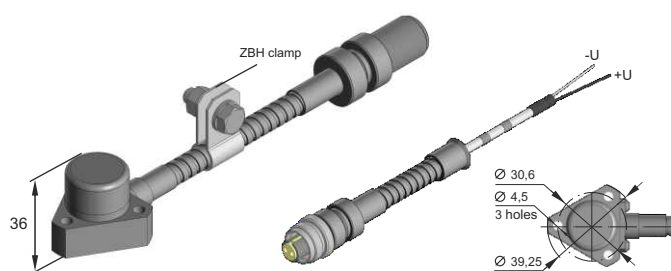
### DVA252.104



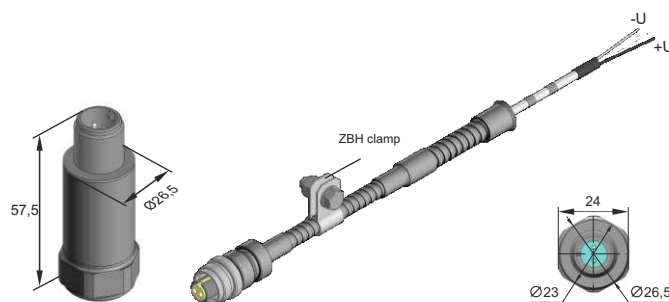
### DVA252.132



### DVA252.164



### DVA252.214



## Wiring diagram

