

TIK-WST wireless temperature transducer



Description

Designed to measure and convert signals from [thermal resistance converters](#), into digital signals, for subsequent transmission via [wireless](#) or [wired](#) networks.

Application area - equipment requiring continuous vibration control.

Temperature transducer are available in two modifications — [TIK-WST](#) and [TIK-WST RB](#), differing in overall dimensions and the presence of a removable battery in the RB version.

Two constructive options for each modification — with [built-in](#) or [remote](#) thermal converter.

The scope of delivery includes a [detachable antenna](#), also delivery with an external antenna is possible fixed length (optional).

High range radio communications - [up to 2 km](#) (in dense buildings) and [up to 10 km](#) (subject to direct visibility).

Configurable data transmission interval; out-of-order data transfer mode when exceeding the threshold level of the measured vibration.

Specifications

Metrological parameters

Temperature measuring range, °C — [-200...+850](#)

Interface

Type of converters — [cu50/100](#), [pt50/100](#)

Output signal type — digital (LoRaWAN protocol)

Supply — battery, life up to 10 years*

* *depending on conditions*

Device class — A (according to LoRaWAN classification)

Number of packets sent by the device, not less — 50 000

Performance

Operating temperature range, °C:
 climatic version H — [-40...+80](#)
 climatic version X — [-60...+80](#)

Reliability and manufacturer's warranties

MTBF, hours, not less than — 40 000

Warranty service life, months — 24

Service life, years, not less than — 10

Time between verifications — 2 years



Design options

TIK-WST / TIK-WST RB ver.00 temperature transducer

Version with cable entry for external converter

Type of shell cylindrical body (TIK-WST)
reduced cylindrical body, removable battery (TIK-WST RB)

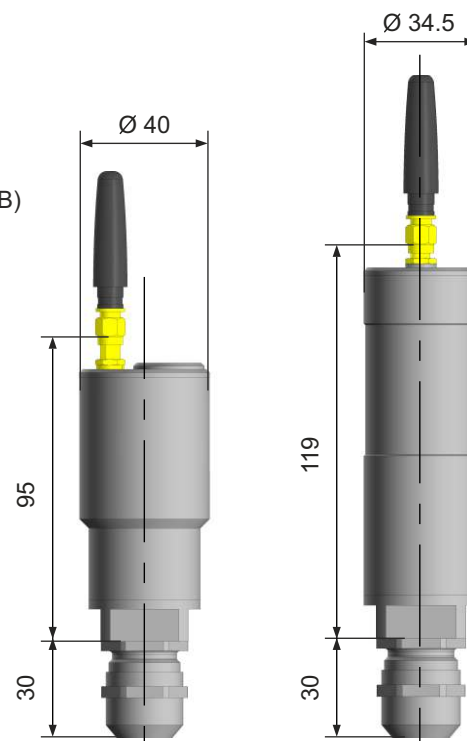
Mount type on the bracket using the mounting kit

Overall dimensions $\varnothing 34.5 \times 119$ mm (TIK-WST)
 $\varnothing 40 \times 95$ mm (TIK-WST RB)

Weight 400 g (TIK-WST, without antenna and sensor)
300 g (TIK-WST RB, without antenna and sensor)

Protection class IP65/IP68

Explosion protection 0Ex ia IIC T4 Ga



TIK-WST / TIK-WST RB ver.01 temperature transducer

Version with pre-installed thermal converter and sleeve

Type of shell cylindrical body (TIK-WST)
reduced cylindrical body, removable battery (TIK-WST RB)

Mount type into the mounting hole of the unit
using the sleeve M20x1.5

Overall dimensions $\varnothing 34.5 \times 116.5$ mm (TIK-WST)
 $\varnothing 40 \times 95$ mm (TIK-WST RB)

Weight 400 g (TIK-WST, without antenna and sensor)
300 g (TIK-WST RB, without antenna and sensor)

Protection class IP65/IP68

Explosion protection 0Ex ia IIC T4 Ga

