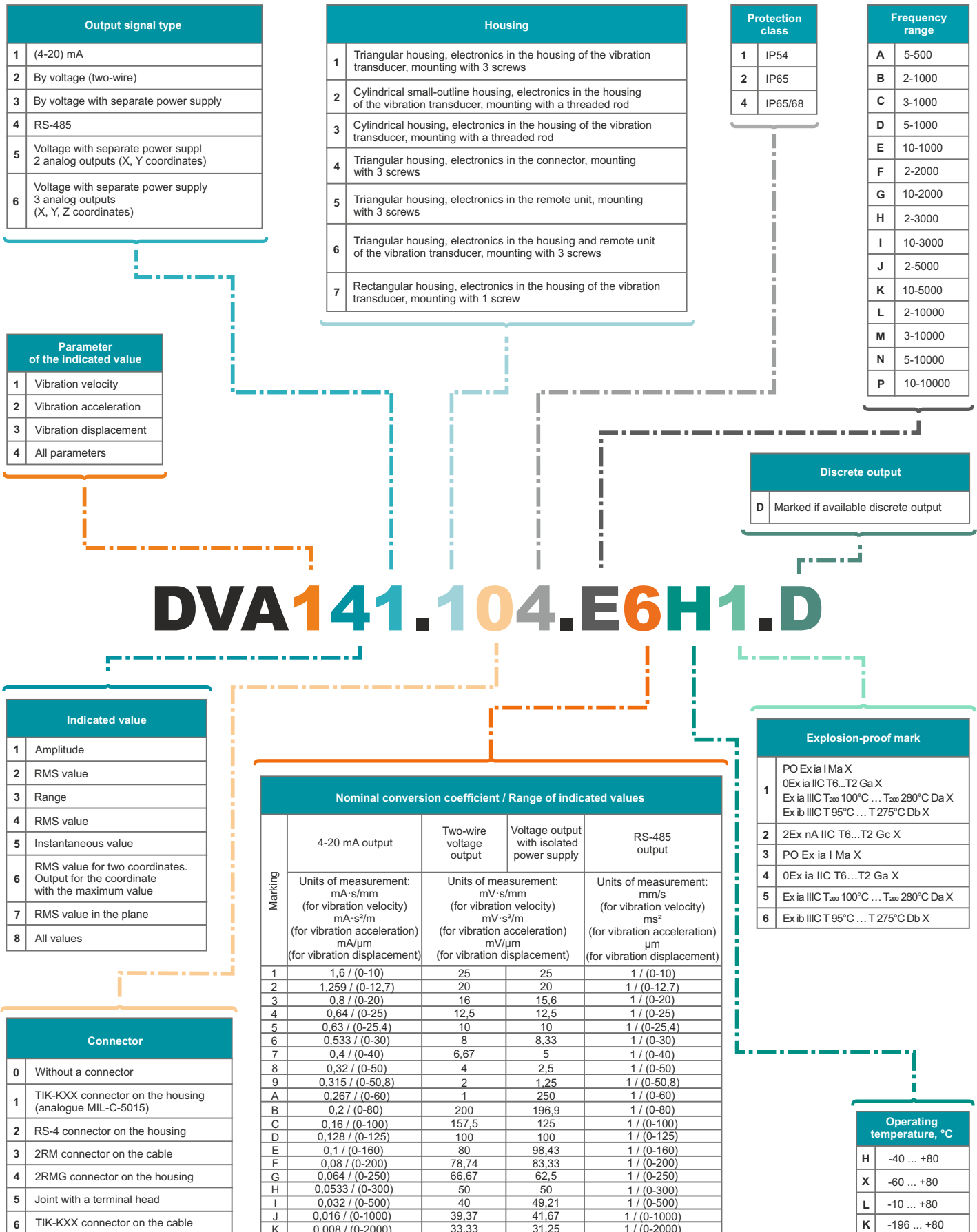


Made in Russia 

Absolute vibration sensors



Decoding of absolute vibration sensor markings*



*Descriptions are given for information, not for ordering! For ordering use the configurator on tik.perm.ru



Content

Product name	Brief characteristics of the sensors	Page
Vibration velocity		
DVA111.XXX	Single-coordinate Output value: vibration velocity amplitude; output type: (4-20) mA	4
DVA141.XXX	Single-coordinate Output value: vibration velocity RMS; output type: (4-20) mA	5
DVA143.XXX	Single-coordinate Output value: vibration velocity RMS; output type: voltage with separate power supply	6
DVA161.XXX	Two-axis Output value: vibration velocity RMS by two coordinates X and Y. Output on the coordinate with the maximum value of vibration velocity RMS; output type: (4-20) mA	7
DVA171.XXX	Two-axis Output value: vibration velocity RMS in XY plane; output type: (4-20) mA	
DVA1X4.XXX	Single-, double-axis Output value: vibration velocity (amplitude, RMS, range, instantaneous value, RMS in two coordinates, RMS in plane, all values); output type: RS-485	8
Vibration acceleration		
DVA241.XXX	Single-coordinate Output value: vibration acceleration RMS; output type: (4-20) mA	9
DVA252.XXX	Single-coordinate Output value: instantaneous vibration acceleration value; output type: voltage two-wire (IEPE)	10
DVA2X4.XXX	Single-, double-axis Output value: vibration acceleration (amplitude, RMS, range, instantaneous value, RMS in two coordinates, RMS in plane, all values); output type: RS-485	11
Vibration displacement sensors		
DVA331.XXX	Single-coordinate Output value: vibration displacement range; output type: (4-20) mA	12
DVA3X4.XXX	Single-, double-axis Output value: vibration displacement range (amplitude, RMS, range, instantaneous value, RMS in two coordinates, RMS in plane, all values); output type: RS-485	13
Multifunction sensors (vibration parameters, temperature, tilt angles)		
DVA484.XXX	Three-axis Output value: vibration velocity, vibration displacement, vibration acceleration on three coordinates X, Y, Z; output type: RS-485	14
Wiring diagrams, installation, documentation		
	Versions of housings and connectors	15-17
	Wiring diagrams	18-19
	Installation methods, mounting kit	20
	Approval documents	21

DVA111.XXX vibration velocity sensors with current output Housing: type 1,2,7
Connector: type 0,1,5,6



Product appearance may vary slightly from that shown in the brochure

Features

Designed to measure the amplitude of vibration velocity in emergency protection systems (EPS). They consist of a hermetically sealed enclosure containing an integral acceleration sensor and a conversion board.

Depending on the version, the standard M8 stud, 3 screws or 1 screw is used for mounting on the unit. On special order, studs with other threads, including inch threads, are available.

The .214 version allows the use of cable assemblies with a MIL connector from imported transducers.

Metrological parameters

Conversion coefficient, mA*s/mm											
1.6	1.259	0.8	0.64	0.63	0.533	0.4	0.32	0.315	0.267	0.2	0.16
Measurement ranges for the amplitude value of vibration velocity, mm/s:											
0-10	0-12.7	0-20	0-25	0-25.4	0-30	0-40	0-50	0-50.8	0-60	0-80	0-100

Operating frequency range, Hz 2-1000;
3-1000;
5-1000;
10-1000

Climatic version

- Operating temperature range, °C
- H climatic version -40...+80
 - X climatic version -60...+80
 - K climatic version -196...+80

Interface

Output signal type (4-20) mA
Sensor supply voltage, V 10-24
Connection via the TIK-PLC controller* or the TIK-BIS safety barrier

** The controller operates as EPS, sensor power source, and a safety barrier*

Protection parameters

- Explosion protection
- PO Ex ia I Ma X
0Ex ia IIC T6...T2 Ga X
Ex ia IIIC T₂₀₀ 100°C ... T₂₀₀ 280°C Da X
Ex ib IIIC T95°C ... T275°C Db X
 - 2Ex nA IIC T6...T2 Gc X
 - PO Ex ia I Ma X
 - 0Ex ia IIC T6...T2 Ga X
 - Ex ia IIIC T₂₀₀ 100°C ... T₂₀₀ 280°C Da X
 - Ex ib IIIC T95°C ... T275°C Db X
- Protection class
- IP65/68 (DVA111.104/164/214/714)
 - IP65 (DVA111.252)

Reliability parameters

MTBF, hours, not less than 100 000
Warranty service life, months 24
Service life, years 20
Verification interval, years 2

DVA141.XXX vibration velocity sensors with current output

Housing: type 1,2,7
Connector: type 0,1,5,6



Product appearance may vary slightly from that shown in the brochure

Features

Designed for measuring the RMS value of vibration velocity in emergency protection systems (EPS). They consist of a hermetically sealed enclosure containing an integral acceleration sensor and a conversion board.

Depending on the version, the standard M8 stud, 3 screws or 1 screw is used for mounting on the unit. On special order, studs with other threads, including inch threads, are available.

The .214 version allows the use of cable assemblies with a MIL connector from imported transducers.

Metrological parameters

Conversion coefficient, mA*s/mm											
1.6	1.259	0.8	0.64	0.63	0.533	0.4	0.32	0.315	0.267	0.2	0.16
Measurement ranges for the RMS value of vibration velocity, mm/s:											
0-10	0-12.7	0-20	0-25	0-25.4	0-30	0-40	0-50	0-50.8	0-60	0-80	0-100

Operating frequency range, Hz 2-1000;
3-1000;
5-1000;
10-1000

Climatic version

Operating temperature range, °C

- H climatic version -40...+80
- X climatic version -60...+80
- K climatic version -196...+80

Interface

Output signal type (4-20) mA
Sensor supply voltage, V 10-24
Connection via the TIK-PLC controller* or the TIK-BIS safety barrier

* The controller operates as EPS, sensor power source, and a safety barrier

Protection parameters

- Explosion protection
- PO Ex ia I Ma X
0Ex ia IIC T6...T2 Ga X
Ex ia IIC T₂₀₀ 100°C ... T₂₀₀ 280°C Da X
Ex ib IIC T95°C ... T275°C Db X
 - 2Ex nA IIC T6...T2 Gc X
 - PO Ex ia I Ma X
 - 0Ex ia IIC T6...T2 Ga X
 - Ex ia IIC T₂₀₀ 100°C ... T₂₀₀ 280°C Da X
 - Ex ib IIC T95°C ... T275°C Db X

- Protection class
- IP65/68 (DVA141.104/164/214/714)
 - IP65 (DVA141.252)

Reliability parameters

MTBF, hours, not less than 100 000
Warranty service life, months 24
Service life, years 20
Verification interval, years 2

DVA143.XXX vibration velocity sensors with voltage output Housing: type 1
Connector: type 0,6



DVA143.104
version with fixed cable connection

DVA143.164
version with TIK-KXX connector on the cable

Product appearance may vary slightly from that shown in the brochure

Features

Designed for measuring the RMS value of vibration velocity in emergency protection systems (EPS). They consist of a sealed enclosure containing an integral acceleration sensor and a conversion board
For installation on the unit, a 3 screw mounting is used.

Metrological parameters

Conversion coefficient, mV*s/mm	100
Measurement ranges for the RMS vibration velocity, mm/s:	0-125

Operating frequency range, Hz 2-1000

Reliability parameters

MTBF, hours, not less than 100 000
Warranty service life, months 24
Service life, years 20
Verification interval, years 2

Interface

Output signal type voltage with separate power supply
Sensor supply voltage, V -2.5; +3.6
Connection via the TIK-PLC controller* or the TIK-BIS safety barrier
** The controller operates as EPS, sensor power source, and a safety barrier*

Protection parameters

- Explosion protection
- PO Ex ia I Ma X
0Ex ia IIC T6...T2 Ga X
Ex ia IIIC T₂₀₀ 100°C ... T₂₀₀ 280°C Da X
Ex ib IIIC T95°C ... T275°C Db X
 - 2Ex nA IIC T6...T2 Gc X
 - PO Ex ia I Ma X
 - 0Ex ia IIC T6...T2 Ga X
 - Ex ia IIIC T₂₀₀ 100°C ... T₂₀₀ 280°C Da X
 - Ex ib IIIC T95°C ... T275°C Db X
- Protection class
- IP65/68 (DVA143.104/164)

Climatic version

Operating temperature range, °C

- H climatic version -40...+80
- X climatic version -60...+80
- K climatic version -196...+80



4-20



EPS



DVA16(7)1.XXX vibration velocity sensors with current output

Housing: type 1,2,7
Connector: type 0,1,5,6

DVA1X1.164
version with TIK-KXX
connector on the cable

DVA1X1.104
version with fixed
cable connection

DVA1X1.214
version with TIK-KXX
connector on the housing

DVA1X1.252
terminal block version

DVA1X1.714
version with TIK-KXX
connector on the housing



Product appearance may vary slightly
from that shown in the brochure

Features

Designed for measuring the RMS value of vibration velocity in two axes simultaneously.

DVA161.XXX - compares measured values and outputs the highest of them;

DVA171.XXX - performs vector addition of measured values and outputs the sum obtained.

Depending on the version, the standard studs M8.XXX and M8.XXX are used for mounting on the unit. standard M8 stud, 3 screws or 1 screw is used for mounting on the unit. On special order, studs with other threads, including inch threads, are available. The .214 version allows the use of cable assemblies with MIL connector from imported transducers.

Metrological parameters

Conversion coefficient, mA*s/mm											
1.6	1.259	0.8	0.64	0.63	0.533	0.4	0.32	0.315	0.267	0.2	0.16
Measurement ranges for the RMS value of vibration velocity, mm/s:											
0-10	0-12.7	0-20	0-25	0-25.4	0-30	0-40	0-50	0-50.8	0-60	0-80	0-100

Operating frequency range, Hz 2-1000;
3-1000;
5-1000;
10-1000

Climatic version

Operating temperature range, °C

- H climatic version -40...+80
- X climatic version -60...+80
- K climatic version -196...+80

Interface

Output signal type (4-20) mA
Sensor supply voltage, V 10-24
Connection via the TIK-PLC controller* or the TIK-BIS safety barrier

* The controller operates as EPS, sensor power source, and a safety barrier

Protection parameters

Explosion protection

- PO Ex ia I Ma X
0Ex ia IIC T6...T2 Ga X
Ex ia IIC T₂₀₀ 100°C ... T₂₀₀ 280°C Da X
Ex ib IIC T95°C ... T275°C Db X
- 2Ex nA IIC T6...T2 Gc X
- PO Ex ia I Ma X
- 0Ex ia IIC T6...T2 Ga X
- Ex ia IIC T₂₀₀ 100°C ... T₂₀₀ 280°C Da X
- Ex ib IIC T95°C ... T275°C Db X

Protection class

- IP65/68 (DVA16(7)1.104/164/214/714)
- IP65 (DVA16(7)1.252)

Reliability parameters

MTBF, hours, not less than 100 000
Warranty service life, months 24
Service life, years 20
Verification interval, years 2

DVA1X4.XXX vibration velocity sensors with digital output

Housing: type 1,2,7
Connector: type 0,1,6

DVA1X4.214
version with **TIK-KXX**
connector on the housing

DVA1X4.164
version with **TIK-KXX**
connector on the cable

DVA1X4.104
version with **fixed**
cable connection

DVA1X4.714
version with **TIK-KXX**
connector on the housing



Product appearance may vary slightly from that shown in the brochure

Features

Designed to measure vibration velocity (along 1 or 2 coordinate(s)).

A vibration acceleration signal, passing through the mathematical processing unit, is converted into a vibration velocity signal (amplitude, root-mean-square (RMS) value, range, instantaneous value). All calculations are performed in a real-time mode with the register data refresh interval of 10 ms. The measurement error for vibration parameters is not more than 5% in the basic frequency range.

Depending on the version, the sensor is installed on the unit using the standard threaded stud M8, fastening with 3 screws or 1 screw. A threaded stud with a different thread, including inch thread, can be supplied on special order.

Metrological parameters

Conversion coefficient	1										
Measurement ranges for vibration velocity, mm/s:											
0-10	0-12.7	0-20	0-25	0-25.4	0-30	0-40	0-50	0-50.8	0-60	0-80	0-100

Operating frequency range, Hz. 2-1000;
3-1000;
5-1000;
10-1000

Climatic version

- Operating temperature range, °C
- H climatic version -40...+80
 - X climatic version -60...+80
 - K climatic version -196...+80

Interface

Output signal type RS-485 or RS-485 + discrete output

Sensor supply voltage, V 10-24

Protocol Modbus RTU

Connection via the TIK-PLC controller* or the TIK-BIS safety barrier

* The controller operates as EPS, sensor power source, and a safety barrier

Protection parameters

- Explosion protection
- PO Ex ia I Ma X
0Ex ia IIC T6...T2 Ga X
Ex ia IIIC T₂₀₀ 100°C ... T₂₀₀ 280°C Da X
Ex ib IIIC T95°C ... T275°C Db X
 - 2Ex nA IIC T6...T2 Gc X
 - PO Ex ia I Ma X
 - 0Ex ia IIC T6...T2 Ga X
 - Ex ia IIIC T₂₀₀ 100°C ... T₂₀₀ 280°C Da X
 - Ex ib IIIC T95°C ... T275°C Db X

Protection class
• IP65/68 (DVA1X4.104/164/214/714)

Reliability parameters

MTBF, hours, not less than 100 000
Warranty service life, months 24
Service life, years 20
Verification interval, years 2

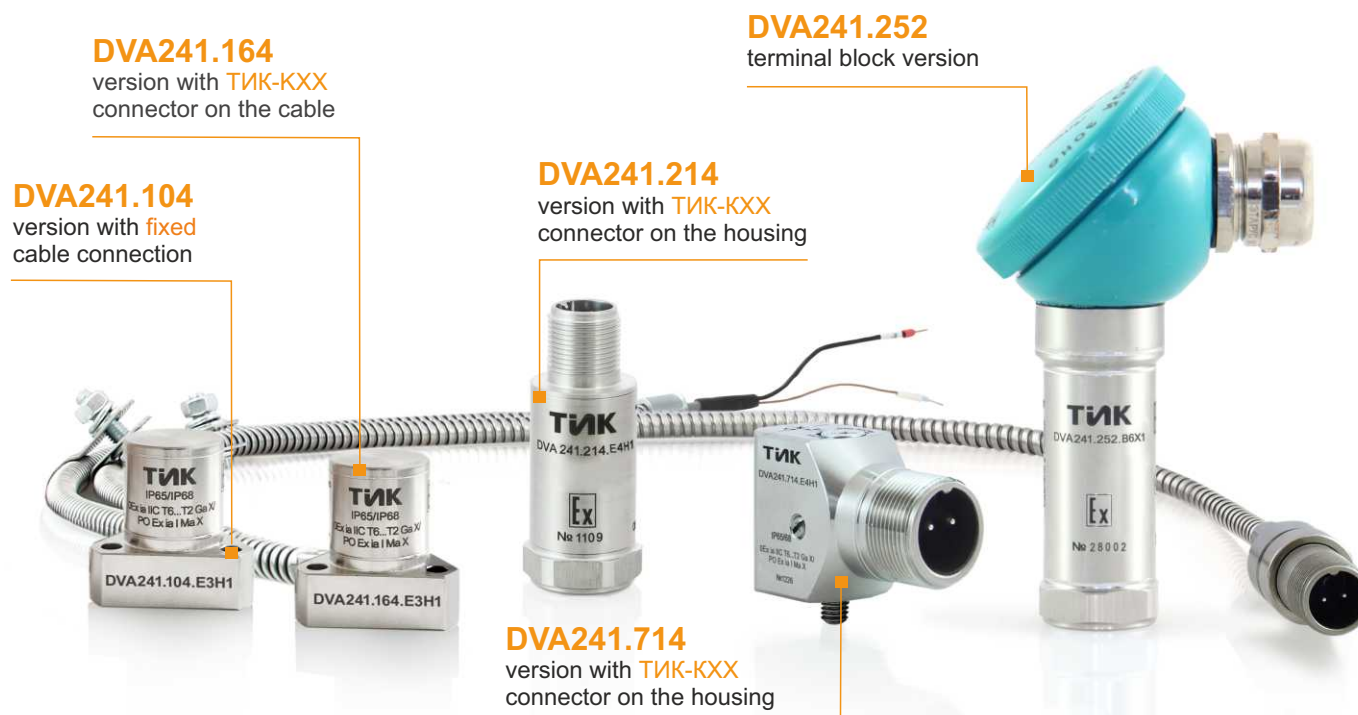


4-20



DVA241.XXX vibration acceleration sensors with current output

Housing: type 1,2,7
Connector: type 0,1,5,6



Product appearance may vary slightly from that shown in the brochure

Features

Designed for measuring the RMS value of vibration acceleration in emergency protection systems (EPS). They consist of a hermetically sealed enclosure containing an integral acceleration sensor and a conversion board.

Depending on the version, the standard M8 stud, 3 screws or 1 screw is used for mounting on the unit. On special order, studs with other threads, including inch threads, are available.

The .214 version allows the use of cable assemblies with a MIL connector from imported transducers.

Metrological parameters

Conversion coefficient, mA*s ² /m		
0.64	0.4	0.16
Measurement ranges for the RMS value of vibration acceleration, m/s ² :		
0-25	0-40	0-100

Operating frequency range, Hz 2-1000;
 3-1000;
 5-1000;
 10-1000

Climatic version

Operating temperature range, °C

- H climatic version -40...+80
- X climatic version -60...+80
- K climatic version -196...+80

Interface

Output signal type (4-20) mA
 Sensor supply voltage, V 10-24
 Connection via the TIK-PLC controller* or the TIK-BIS safety barrier

* The controller operates as EPS, sensor power source, and a safety barrier

Protection parameters

Explosion protection

- PO Ex ia I Ma X
 0Ex ia IIC T₆₀...T₂ Ga X
 Ex ia IIC T₂₀₀ 100°C ... T₂₀₀ 280°C Da X
 Ex ib IIC T₉₅°C ... T₂₇₅°C Db X
- 2Ex nA IIC T₆₀...T₂ Gc X
- PO Ex ia I Ma X
- 0Ex ia IIC T₆₀...T₂ Ga X
- Ex ia IIC T₂₀₀ 100°C ... T₂₀₀ 280°C Da X
- Ex ib IIC T₉₅°C ... T₂₇₅°C Db X

Protection class

- IP65/68 (DVA241.104/164/214/714)
- IP65 (DVA241.252)

Reliability parameters

MTBF, hours, not less than 100 000
 Warranty service life, months 24
 Service life, years 20
 Verification interval, years 2

DVA252.XXX vibration acceleration sensors with voltage output

Housing: type 1,2
Connector: type 0,1,6



DVA252.104
version with **fixed** cable connection

DVA252.164
version with **TIK-KXX** connector on the cable

DVA252.214
version with **TIK-KXX** connector on the housing

Product appearance may vary slightly from that shown in the brochure

Features

Designed to measure the instantaneous value of vibration acceleration in diagnostic systems.

Depending on the version, the sensor is installed on the unit using the standard threaded stud M8 or with 3 screws. A threaded stud with a different thread, including inch thread, can be supplied on special order.

For the .214 version, it is possible to use cable assemblies with the MIL connector of imported transducers.

Metrological parameters

Conversion coefficient, mV*s ² /m							
80	50	20	12.5	10	6.67	4	2
Measurement ranges for vibration acceleration, m/s ² :							
0-62.5	0-100	0-250	0-400	0-500	0-750	0-1250	0-2500

Operating frequency range, Hz 2-3000;
10-3000;
2-5000;
2-10 000;
3-10 000;
5-10 000;
10-10 000

Climatic version

- Operating temperature range, °C
- H climatic version -40...+80
 - X climatic version -60...+80
 - K climatic version -196...+80

Interface

Output signal type voltage (two-wire)
Sensor supply voltage, V 17-25
Connection via the TIK-PLC controller* or the TIK-BIS safety barrier
** The controller operates as EPS, sensor power source, and a safety barrier*

Protection parameters

- Explosion protection
- PO Ex ia I Ma X
0Ex ia IIC T6...T2 Ga X
Ex ia IIIC T₂₀₀ 100°C ... T₂₀₀ 280°C Da X
Ex ib IIIC T95°C ... T275°C Db X
 - 2Ex nA IIC T6...T2 Gc X
 - PO Ex ia I Ma X
 - 0Ex ia IIC T6...T2 Ga X
 - Ex ia IIIC T₂₀₀ 100°C ... T₂₀₀ 280°C Da X
 - Ex ib IIIC T95°C ... T275°C Db X
- Protection class
- IP65/68 (DVA252.104/164/214)

Reliability parameters

MTBF, hours, not less than 100 000
Warranty service life, months 24
Service life, years 20
Verification interval, years 2



DVA2X4.XXX vibration acceleration sensors with digital output

Housing: type 1,2,7
Connector: type 0,1,6

DVA2X4.214

version with TIK-KXX connector on the housing

DVA2X4.164

version with TIK-KXX connector on the cable

DVA2X4.104

version with fixed cable connection

DVA2X4.714

version with TIK-KXX connector on the housing



Product appearance may vary slightly from that shown in the brochure

Features

Designed to measure vibration acceleration (amplitude, RMS value, range, instantaneous value, along 1 or 2 coordinate(s)).

All calculations are performed in a real-time mode with the register data refresh interval of 10 ms. The measurement error for vibration parameters is not more than 5% in the basic frequency range.

Depending on the version, the sensor is installed on the unit using the standard threaded stud M8, fastening with 3 screws or 1 screw. A threaded stud with a different thread, including inch thread, can be supplied on special order.

Metrological parameters

Conversion coefficient	1	
Measurement ranges for vibration acceleration, m/s ² :		
0-25	0-40	0-100

Operating frequency range, Hz 2-1000;
3-1000;
5-1000;
10-1000

Climatic version

Operating temperature range, °C

- H climatic version -40...+80
- X climatic version -60...+80
- K climatic version -196...+80

Interface

Output signal type RS-485 or RS-485 + discrete output

Sensor supply voltage, V 10-24

Protocol Modbus RTU

Connection via the TIK-PLC controller* or the TIK-BIS safety barrier

* The controller operates as EPS, sensor power source, and a safety barrier

Protection parameters

Explosion protection

- PO Ex ia I Ma X
0Ex ia IIC T6...T2 Ga X
Ex ia IIIC T₂₀₀ 100°C ... T₂₀₀ 280°C Da X
Ex ib IIIC T95°C ... T275°C Db X
- 2Ex nA IIC T6...T2 Gc X
- PO Ex ia I Ma X
- 0Ex ia IIC T6...T2 Ga X
- Ex ia IIIC T₂₀₀ 100°C ... T₂₀₀ 280°C Da X
- Ex ib IIIC T95°C ... T275°C Db X

Protection class

- IP65/68 (DVA2X4.104/164/214/714)

Reliability parameters

MTBF, hours, not less than 100 000

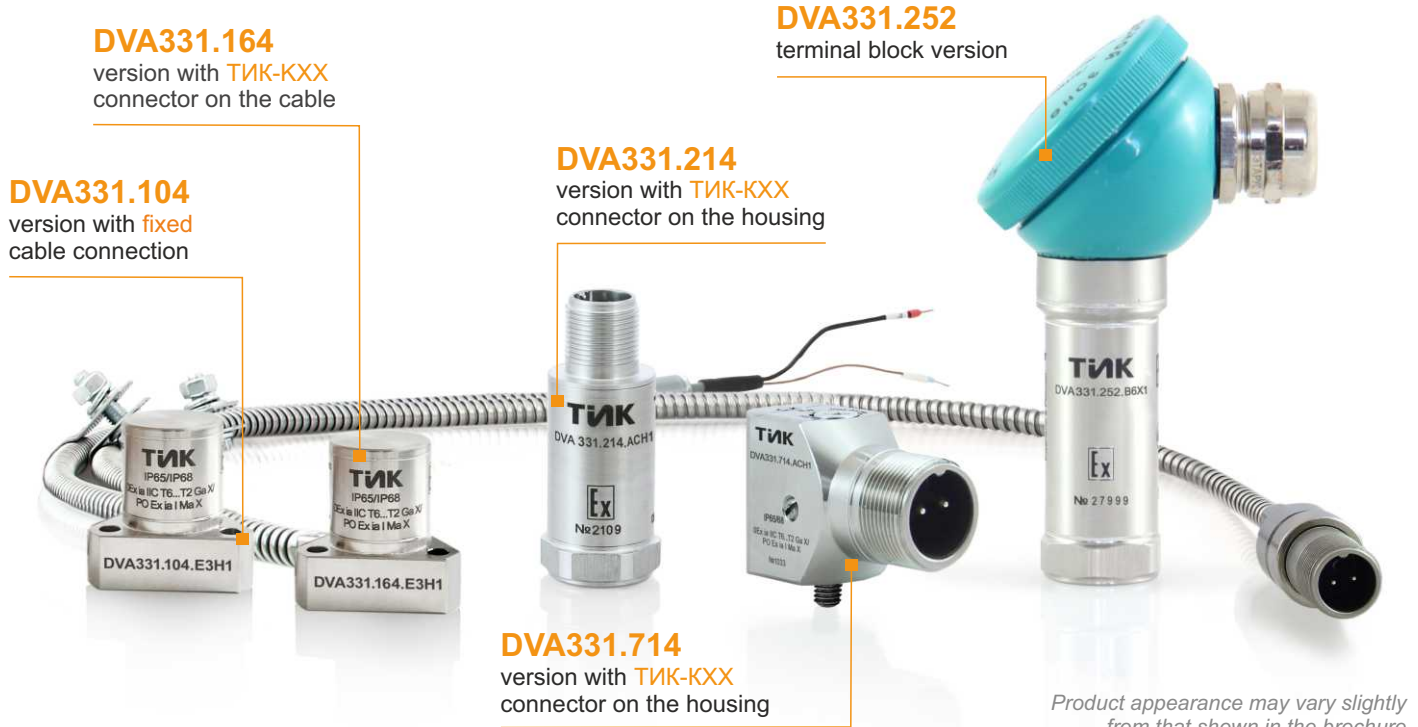
Warranty service life, months 24

Service life, years 20

Verification interval, years 2

DVA331.XXX vibration displacement sensors with current output

Housing: type 1,2,7
Connector: type 0,1,5,6



Product appearance may vary slightly from that shown in the brochure

Features

Designed to measure the vibration displacement range. Consists of a sealed housing that comprises an integral acceleration sensor and a conversion board.

Depending on the version, the sensor is installed on the unit using the standard threaded stud M8, fastening with 3 screws or 1 screw. A threaded stud with a different thread, including inch thread, can be supplied on special order.

For the .214 version, it is possible to use cable assemblies with the MIL connector of imported transducers.

Metrological parameters

Conversion coefficient, mA/μm:				
0.16	0.128	0.064	0.032	0.016
Measurement ranges for vibration displacement range, μm:				
0-100	0-125	0-250	0-500	0-1000

Operating frequency range, Hz 5-500;
10-1000

Climatic version

Operating temperature range, °C

- H climatic version -40...+80
- X climatic version -60...+80
- K climatic version -196...+80

Interface

Output signal type (4-20) mA
Sensor supply voltage, V 10-24
Connection via the TIK-PLC controller* or the TIK-BIS safety barrier

* The controller operates as EPS, sensor power source, and a safety barrier

Protection parameters

Explosion protection

- PO Ex ia I Ma X
0Ex ia IIC T6...T2 Ga X
Ex ia IIIC T₂₀₀ 100°C ... T₂₀₀ 280°C Da X
Ex ib IIIC T95°C ... T275°C Db X
- 2Ex nA IIC T6...T2 Gc X
- PO Ex ia I Ma X
- 0Ex ia IIC T6...T2 Ga X
- Ex ia IIIC T₂₀₀ 100°C ... T₂₀₀ 280°C Da X
- Ex ib IIIC T95°C ... T275°C Db X

Protection class

- IP65/68 (DVA331.104/164/214/714)
- IP65 (DVA331.252)

Reliability parameters

MTBF, hours, not less than 100 000
Warranty service life, months 24
Service life, years 20
Verification interval, years 2



DVA3X4.XXX vibration displacement sensors with digital output

Housing: type 1,2,7
Connector: type 0,1,6

DVA3X4.214

version with TIK-KXX connector on the housing

DVA3X4.164

version with TIK-KXX connector on the cable



Product appearance may vary slightly from that shown in the brochure

Features

Designed to measure vibration displacement (amplitude, RMS value, range, instantaneous value, along 1 or 2 coordinate(s)).

All calculations are performed in a real-time mode with the register data refresh interval of 10 ms. The measurement error for vibration parameters is not more than 5% in the basic frequency range.

Depending on the version, the sensor is installed on the unit using the standard threaded stud M8, fastening with 3 screws or 1 screw. A threaded stud with a different thread, including inch thread, can be supplied on special order.

Metrological parameters

Conversion coefficient	1							
Ranges of indicated values of vibration displacement, μm :								
0-100	0-125	0-160	0-200	0-250	0-300	0-500	0-1000	0-2000

Operating frequency range, Hz. 5-500;
2-1000;
3-1000;
5-1000;
10-1000

Climatic version

Operating temperature range, $^{\circ}\text{C}$

- H climatic version -40...+80
- X climatic version -60...+80
- K climatic version -196...+80

Interface

Output signal type RS-485
 Sensor supply voltage, V 10-24
 Protocol Modbus RTU
 Connection via the TIK-PLC controller* or the TIK-BIS safety barrier

* The controller operates as EPS, sensor power source, and a safety barrier

Protection parameters

Explosion protection

- PO Ex ia I Ma X
0Ex ia IIC T6...T2 Ga X
Ex ia IIIC T₂₀₀ 100 $^{\circ}\text{C}$... T₂₀₀ 280 $^{\circ}\text{C}$ Da X
Ex ib IIIC T95 $^{\circ}\text{C}$... T275 $^{\circ}\text{C}$ Db X
- 2Ex nA IIC T6...T2 Gc X
- PO Ex ia I Ma X
- 0Ex ia IIC T6...T2 Ga X
- Ex ia IIIC T₂₀₀ 100 $^{\circ}\text{C}$... T₂₀₀ 280 $^{\circ}\text{C}$ Da X
- Ex ib IIIC T95 $^{\circ}\text{C}$... T275 $^{\circ}\text{C}$ Db X

Protection class

- IP65/68 (DVA3X4.104/164/214/714)

Reliability parameters

MTBF, hours, not less than 100 000
 Warranty service life, months 24
 Service life, years 20
 Verification interval, years 2

DVA484.XXX multifunctional sensors with digital output Housing: type 1,2,7
Connector: type 0,1,6

DVA484.214
version with **TIK-KXX**
connector on the housing

DVA484.164
version with **TIK-KXX**
connector on the cable

DVA484.104
version with **fixed**
cable connection

DVA484.714
version with **TIK-KXX**
connector on the housing



Product appearance may vary slightly from that shown in the brochure

Features

Designed to measure vibration acceleration, vibration velocity, vibration displacement along 3 coordinates, as well as angles of inclination and temperature (at the installation place). All calculations are performed in a real-time mode with the register data refresh interval of 10 ms. The measurement error for vibration parameters is not more than 5% in the basic frequency range. Additional error is not more than 2.5%.

The built-in temperature sensor allows controlling the temperature with an accuracy of ± 2 °C. Determination of the angles of inclination of each axis with an accuracy of 1°.

Metrological parameters

Conversion coefficient	1	
Ranges of indicated values of vibration velocity amplitude, mm/s:		
0-25	0-40	0-100
Ranges of indicated values of vibration acceleration amplitude, m/s ² :		
0-25	0-40	0-100
Ranges of indicated values of vibration displacement amplitude, μ m:		
0-25	0-40	0-100

Operating frequency range, Hz 2-1000;
3-1000;
5-1000;
10-1000

Climatic version

- Operating temperature range, °C
- H climatic version -40...+80
 - X climatic version -60...+80
 - K climatic version -196...+80

Interface

Output signal type (4-20) mA
Sensor supply voltage, V 10-24
Connection via the TIK-PLC controller* or the TIK-BIS safety barrier

* The controller operates as EPS, sensor power source, and a safety barrier

Protection parameters

- Explosion protection
- PO Ex ia I Ma X
0Ex ia IIC T6...T2 Ga X
Ex ia IIIC T₂₀₀ 100°C ... T₂₀₀ 280°C Da X
Ex ib IIIC T95°C ... T275°C Db X
 - 2Ex nA IIC T6...T2 Gc X
 - PO Ex ia I Ma X
 - 0Ex ia IIC T6...T2 Ga X
 - Ex ia IIIC T₂₀₀ 100°C ... T₂₀₀ 280°C Da X
 - Ex ib IIIC T95°C ... T275°C Db X
- Protection class
- IP65/68 (DVA484.104/164/214/714)

Reliability parameters

MTBF, hours, not less than 100 000
Warranty service life, months 24
Service life, years 20
Verification interval, years 2



Housing: type 1

Triangular housing, electronics in the housing of the vibration transducer, mounting with 3 screws

Connector: type 0

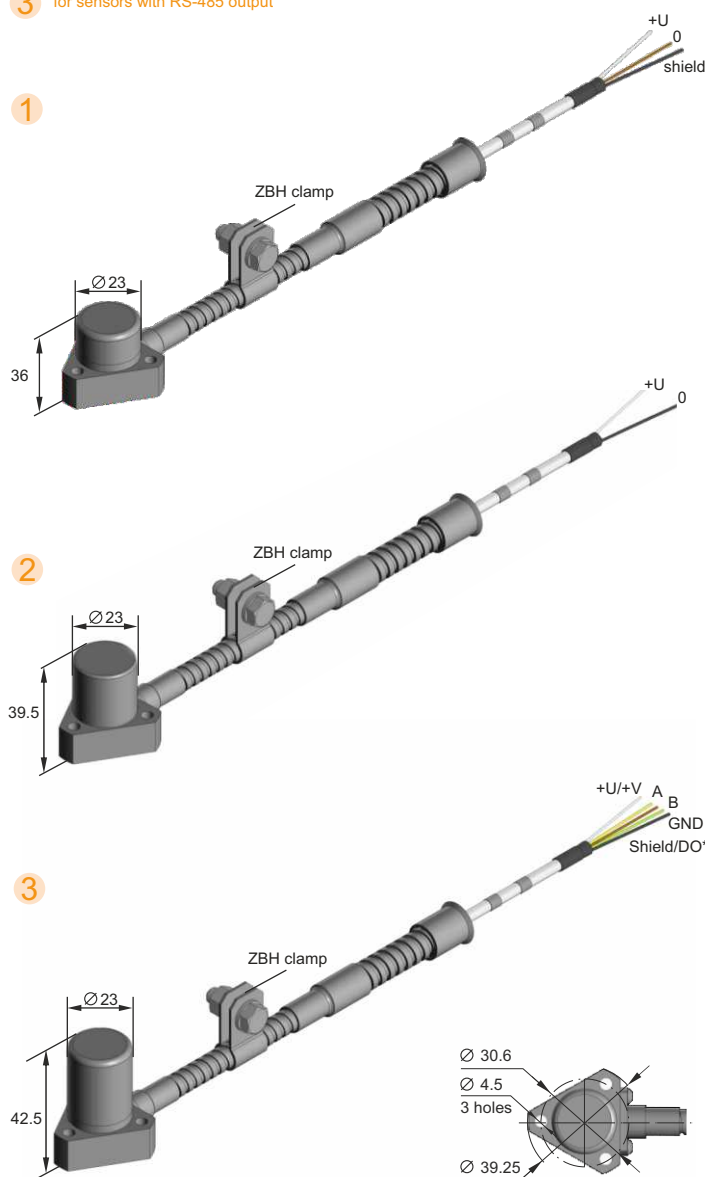
Without connector

Specifications

Overall dimensions \varnothing 39.25x36 mm
 \varnothing 39.25x39.5 mm
 \varnothing 39.25x42.5 mm

Weight 100 g
Mount M4 screw 3 pcs.

- 1 for sensors with 4-20 mA output
- 2 for sensors with voltage output
- 3 for sensors with RS-485 output



*For version with discrete output

Housing: type 1

Triangular housing, electronics in the housing of the vibration transducer, mounting with 3 screws

Connector: type 6

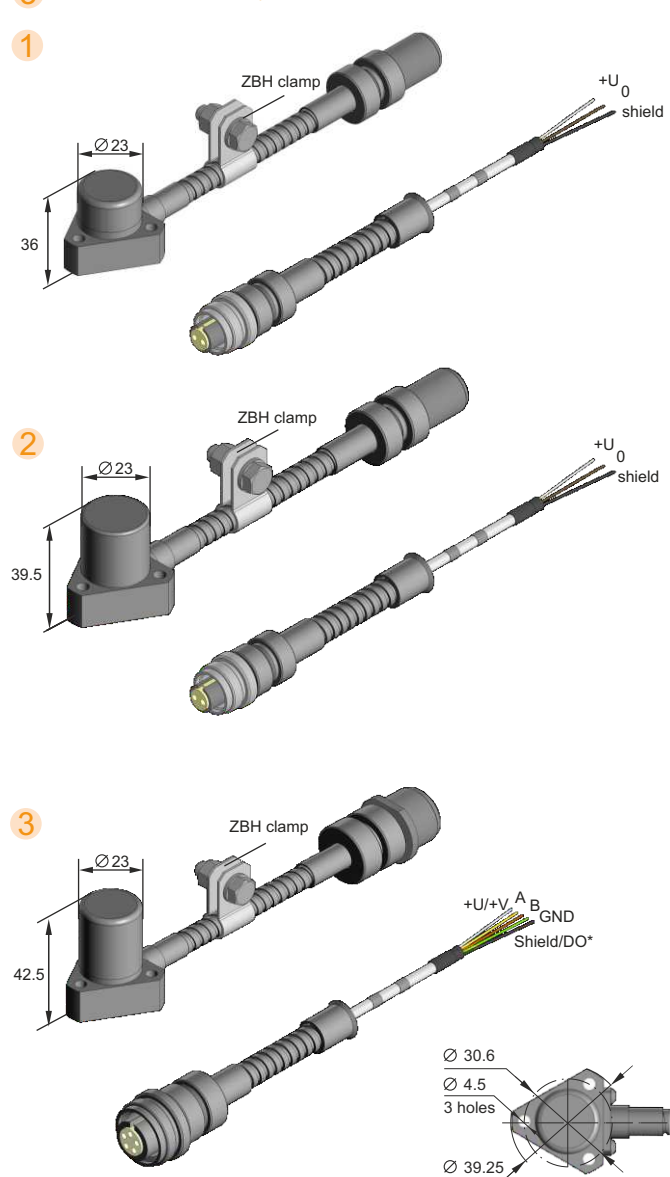
TIK-KXX connector on the cable

Specifications

Overall dimensions \varnothing 39.25x36 mm
 \varnothing 39.25x39.5 mm
 \varnothing 39.25x42.5 mm

Weight 100 g
Mount M4 screw 3 pcs.

- 1 for sensors with 4-20 mA output
- 2 for sensors with voltage output
- 3 for sensors with RS-485 output



*For version with discrete output

Housing: type 2

Cylindrical small-outline housing, electronics in the housing of the vibration transducer, mounting with a threaded stud

Connector: type 1

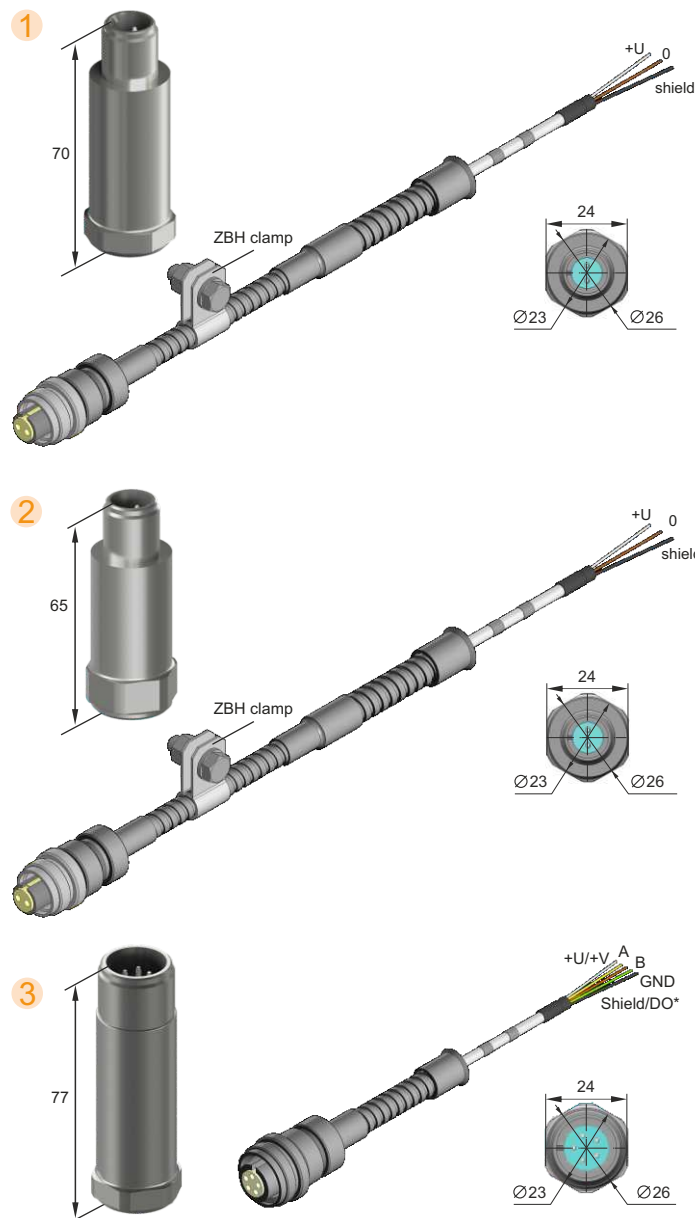
TIK-KXX connector on the housing (analogue MIL-C-5015)

Specifications

Overall dimensions $\varnothing 26 \times 70$ mm
 $\varnothing 26 \times 65$ mm
 $\varnothing 26 \times 77$ mm

Weight 130 g
Mount M8 stud 1 pc.

- 1 for sensors with 4-20 mA output
- 2 for sensors with voltage output
- 3 for sensors with RS-485 output



*For version with discrete output

Housing: type 2

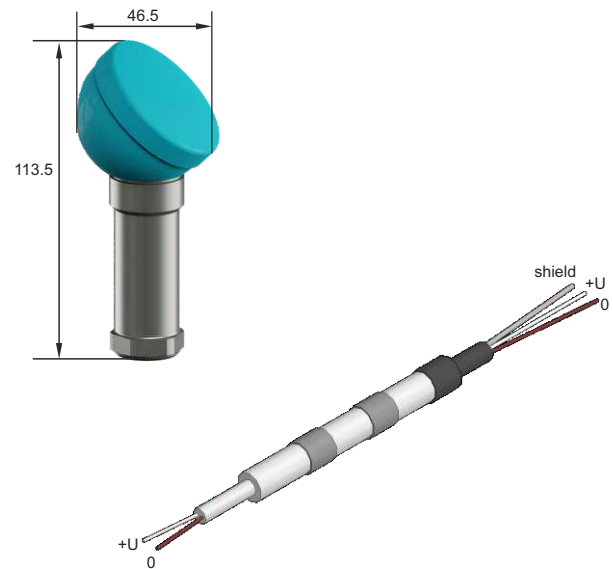
Cylindrical small-outline housing, electronics in the housing of the vibration transducer, mounting with a threaded stud

Connector: type 5

Connection to the terminal block

Specifications

Overall dimensions 113x46.5 mm
Weight 130 g
Mount M8 stud 1 pc.





Housing: type 7

Rectangular housing, electronics in the housing of the vibration transducer, mounting with 1 screw

Connector: type 1

TIK-KXX connector on the housing (analogue MIL-C-5015)

Specifications

Overall dimensions 35x55.5x24.5 mm
42x55.5x24.5 mm

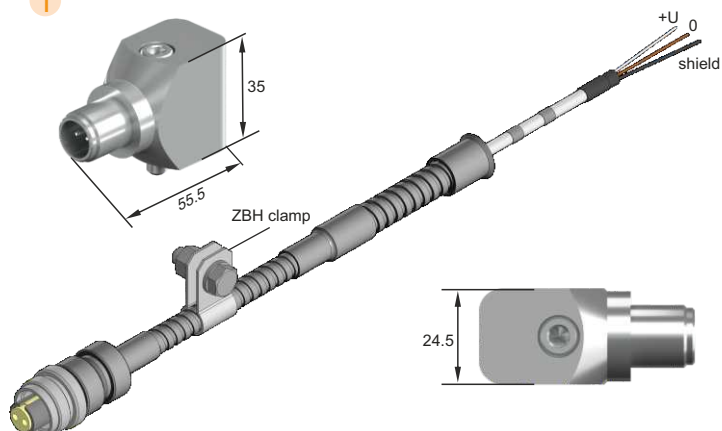
Weight 250 g

Mount M6 screw 1 pc.

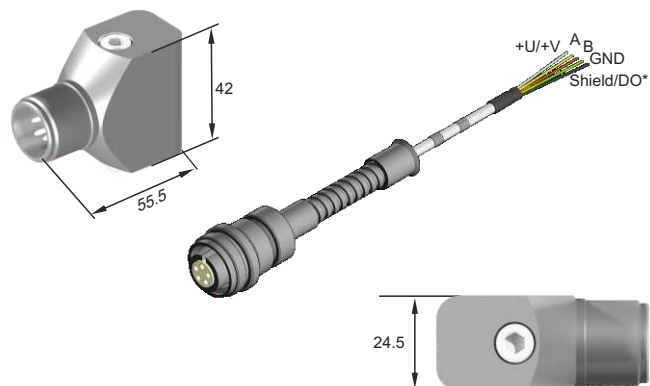
1 for sensors with 4-20 mA output

2 for sensors with RS-485 output

1



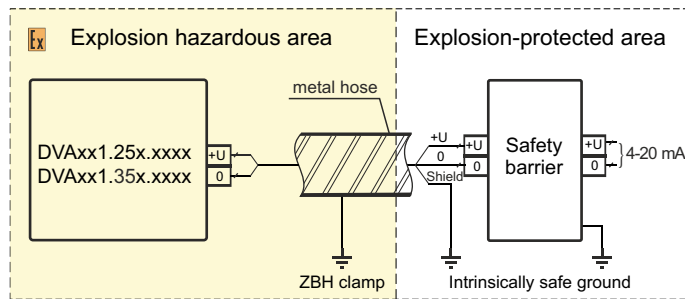
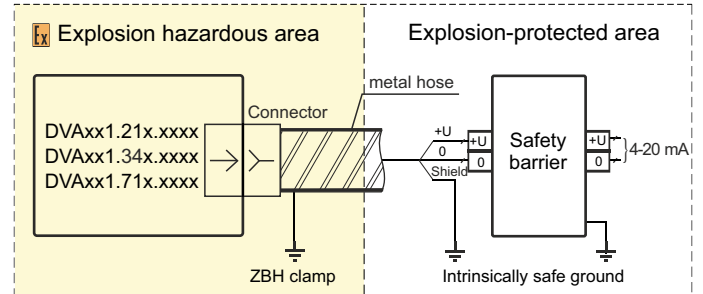
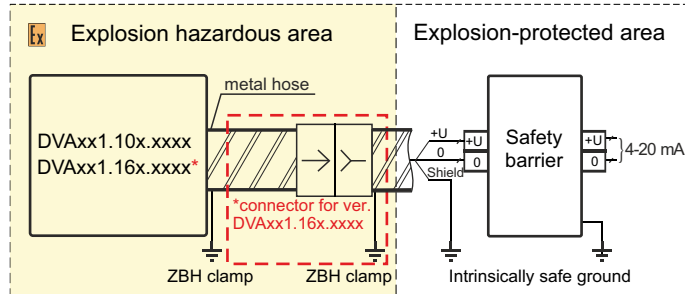
2



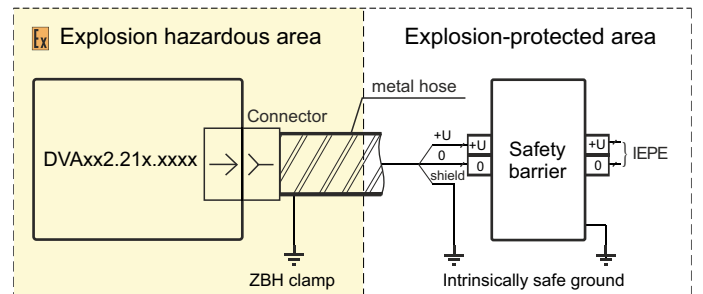
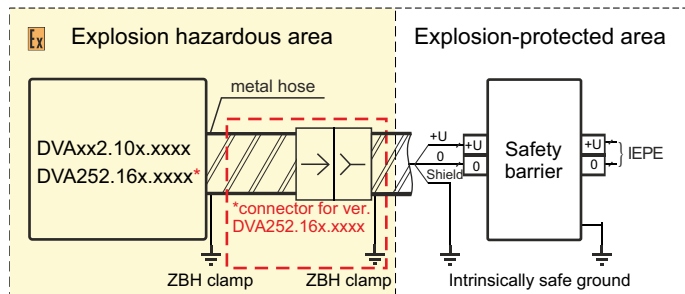
*For version with discrete output

Wiring diagrams

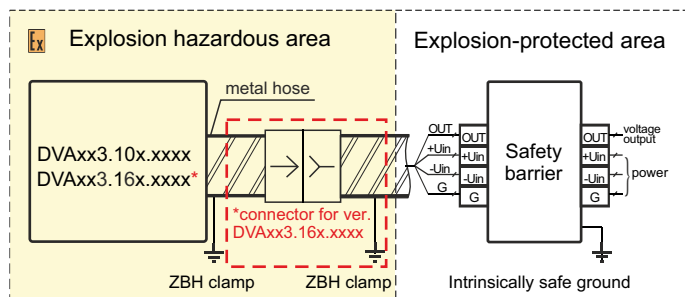
DVA sensors with current output



DVA sensors with voltage output

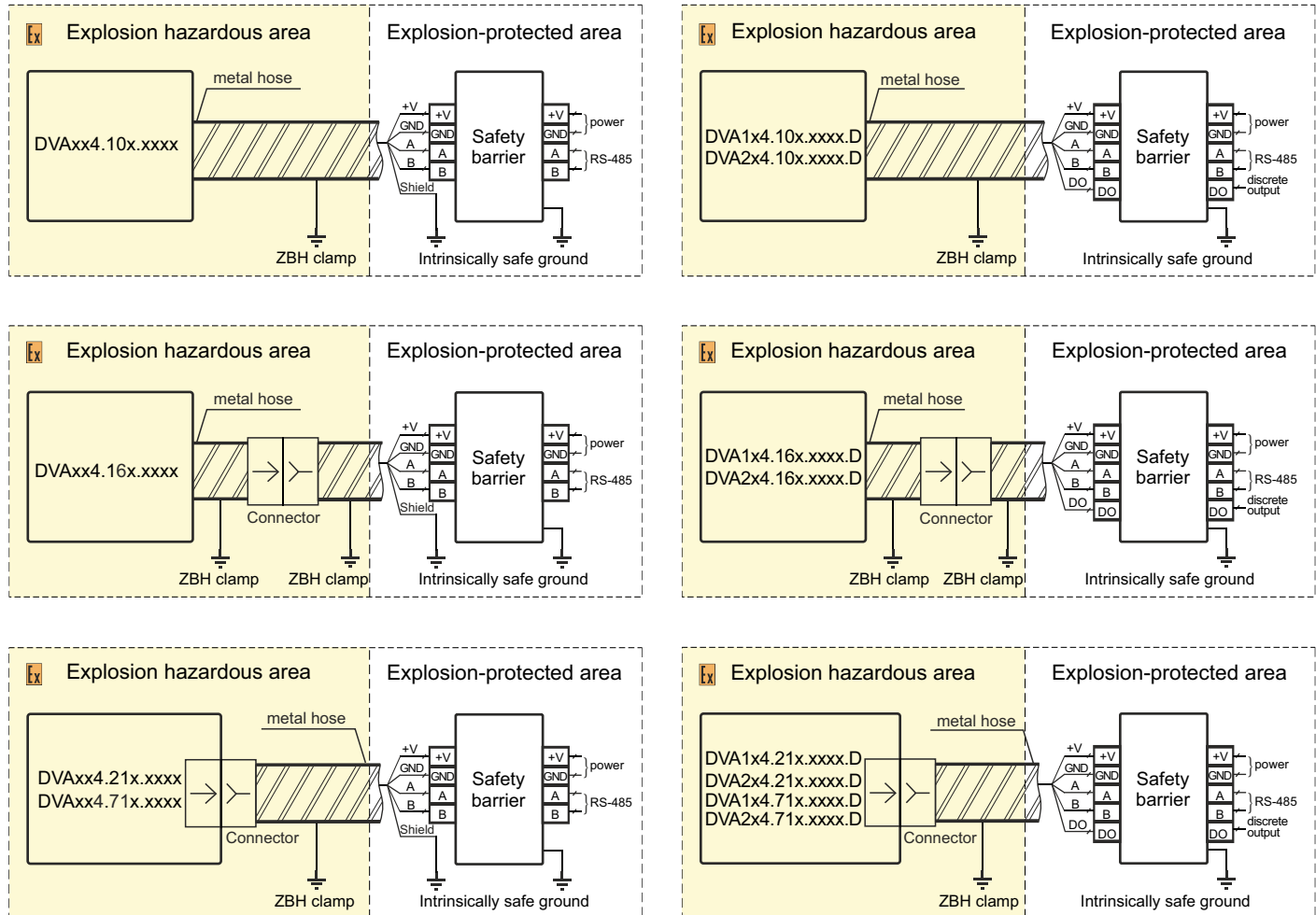


DVA sensors with voltage output with separate power supply



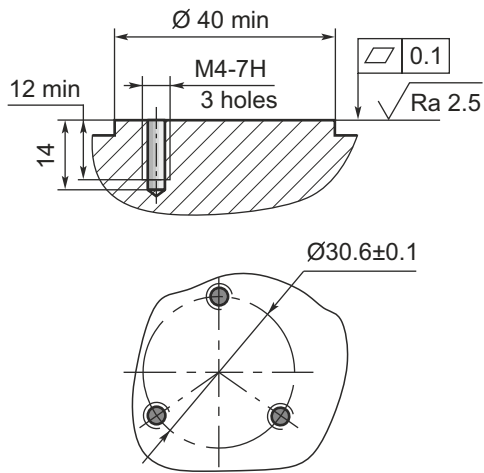
Wiring diagrams

DVA sensors with digital output

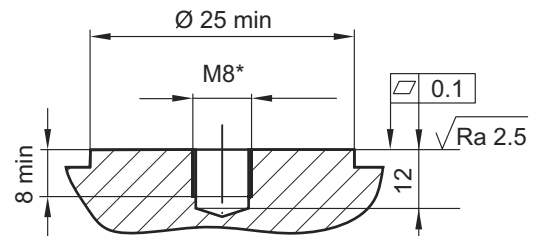


Installation methods

Screw mounting (for DVAXXX.1)

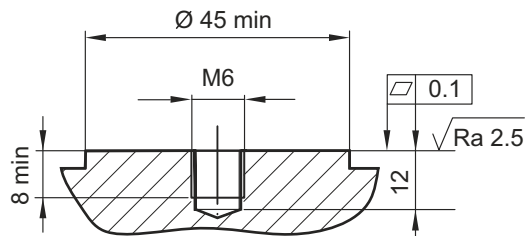


Stud mounting (for DVAXXX.2)



**On special order we can supply studs with other threads, including inch threads*

Screw mounting (for DVAXXX.7)



Mounting kit (optional)



Rotating mounting kit designed for mounting multi-axis sensors with stud mounting and for sensors with terminal head.



Approval documents

Certificate of type approval of measuring instruments No. 69044-17
for vibration transducers DVA



Certificate of Conformity to TP TC 012/2011 "On safety of equipment
for operation in explosive environments" for DVA vibration transducers,
EAEC registration number RU C-RU.AЖ58.B.04937/24



Declaration of conformity to TP TC 020/2011 "Electromagnetic compatibility
of technical means" for vibration converters DVA,
EAEC registration number RU Д-RU.PA06.B.22753/22



Certificate of type approval for DVA vibration transducers
in the Republic of Belarus No. 15786



Certificate of type approval for DVA vibration transducers
in the Republic of Kazakhstan,
registration number KZ.02.03.08032-2022/69044-17





TIK Research & Production Enterprise,
Limited Liability Company
14A, Marii Zagummennykh St., Perm, 614067, Russia
Tel.+7 (342) 214-75-75
E-mail: tik@perm.ru
Web-site: <https://tik.perm.ru/en>